



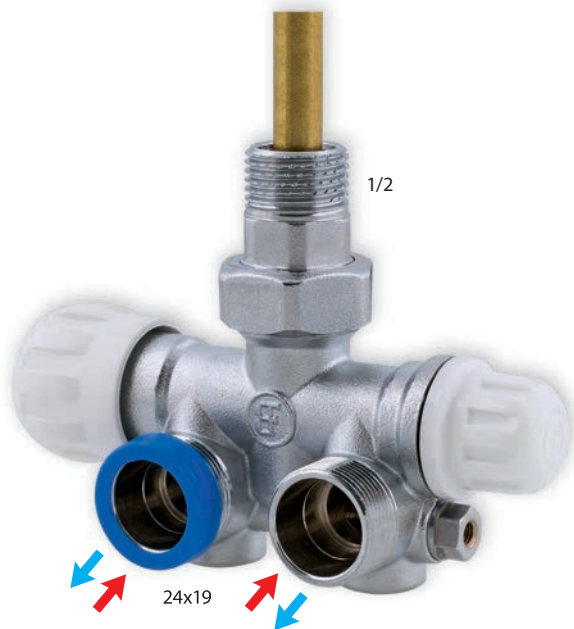
TOWEL ANGLE

Double sealing mechanisms with O-ring and pressure cap
Option for change of water flow and By-Pass.
For connection of Ø15 - 18, copper - pex - multilayer pipe

Multi - Deal

843 Multi - Deal

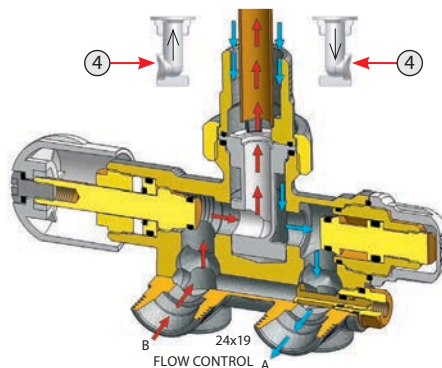
Angle with By-Pass



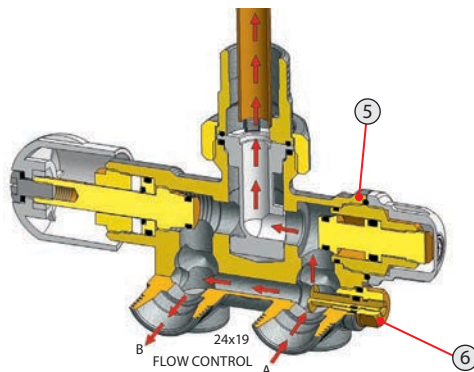
Max Pressure: 10 bar
Max Temperature: 120 °C

CODE	HANDLE	THREAD	€	📦
843	White	24 x 19		20

Optional with Chrome Handle

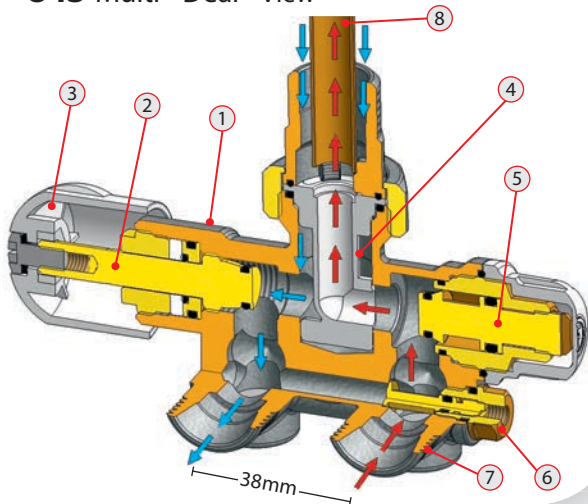


If the **inlet of hot water** has to be made from **WATER SUPPLY B**, you have to pull out the plastic pipe (4) and rotate it 180°.



If **more radiator panels are in the same line**, **adjust By-Pass (6)** in combination with flow control mechanism **so as the thermal efficiency to be distributed accordingly.**

843 Multi - Deal • View



- Forged chrome plated body** (Nickel and Chromium)
Material Specification: EN 12165: 1998 alloy CW617N
- Open / close double sealing mechanism.** with O-ring and pressure cap.
- Handle by sustainable ABS plastic with metal polygon** for handle support and brass screw.
- Special component for inlet of hot water** with flow change capability.
- Mechanism for flow control.**
- Mechanism for By-Pass flow control.**
- Connection of Copper / Pex / Multilayer.**
- Brass pipe Ø 10/50cm with extension capability.** (as illustrated right)

