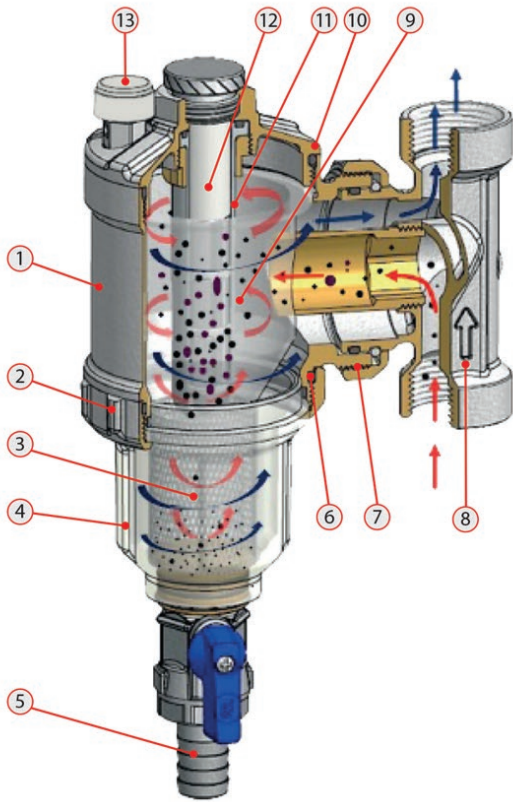


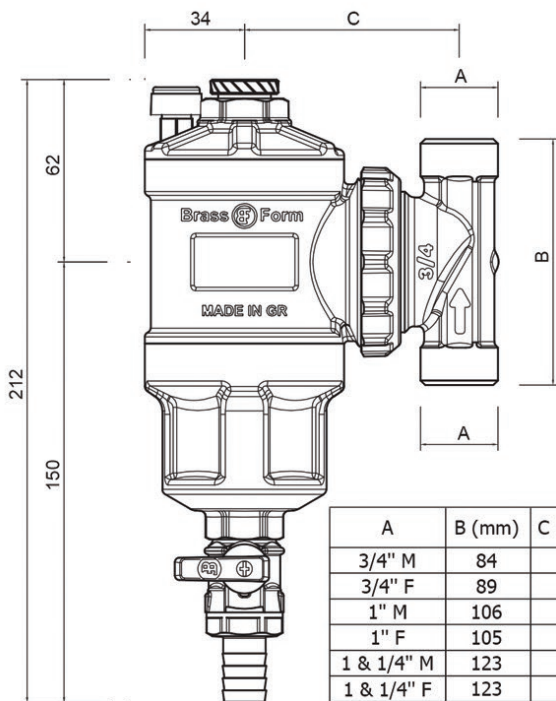


# TECHNICAL FEATURES



- ① **Main Body:** Brass CW617N, EN 12165
- ② **Locking Nut for Plastic Cover:** Brass CW617N, EN
- ③ **Stainless Steel Filter Cartridge:** Forged Steel AISI304
- ④ **Transparent Cover:** Polysulfone (psu) / Container capacity: 380ml
- ⑤ **Drain ball valve with hose connection:** Forged Brass CW617N
- ⑥ **O-rings** x 6 NBR
- ⑦ **Swivel Connection:** Forged Brass CW617N
- ⑧ **Tee Fitting 3/4" & 1":** Forged Brass CW617N
- ⑨ **Hydro-cyclonic flow chamber:** PPR
- ⑩ **Top Plug:** Forged Brass CW617N
- ⑪ **Magnet Housing:** CW614N, polymer (psu)
- ⑫ **Three parts magnet array:** Neodymium N48, 10.500+ Gauss
- ⑬ **Air Vent:** Forged Brass CW614N

DN	Kv
20	5,5
25	9,5
32	9,5



A	B (mm)	C (mm)
3/4" M	84	73
3/4" F	89	73
1" M	106	73
1" F	105	73
1 & 1/4" M	123	81
1 & 1/4" F	123	81

