

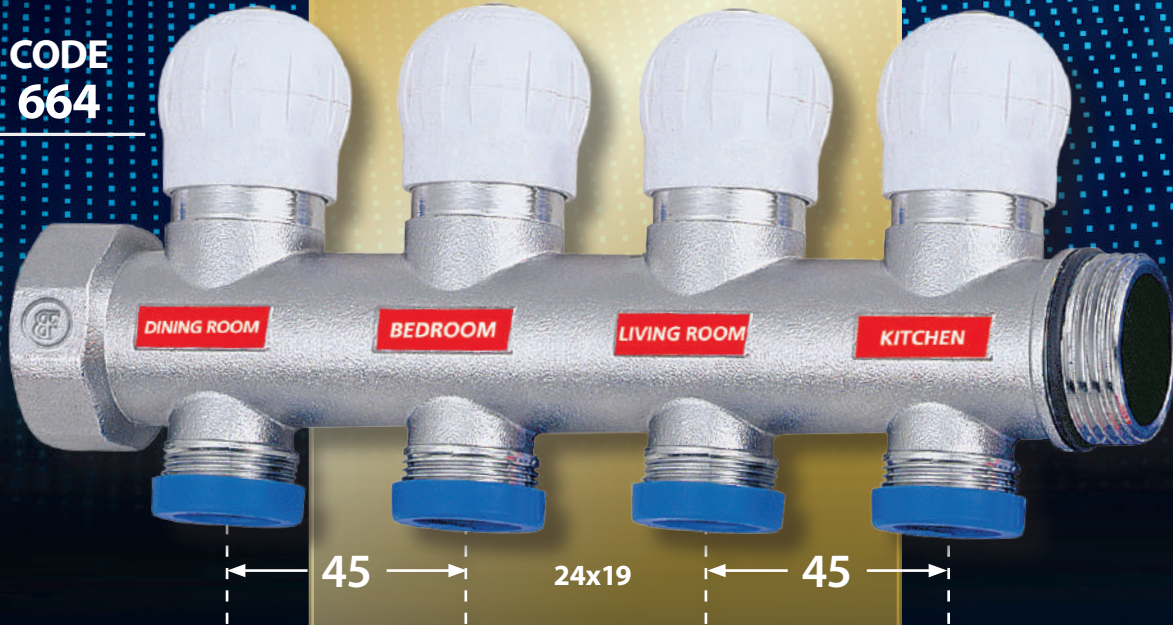


Attending the quality «overall»

1" 1/4

MAXIMUM FLOW & PERFORMANCE

CODE
664



Proto
series

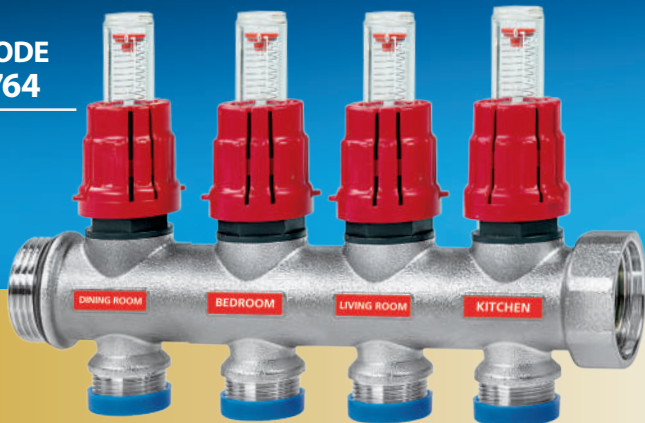
New

MANIFOLDS 1" 1/4

2, 3 & 4 Outputs for Water Supply & Heating

FAN COILS, COOLING & UNDERFLOOR HEATING

CODE
764



24x19

CODE
864



24x19

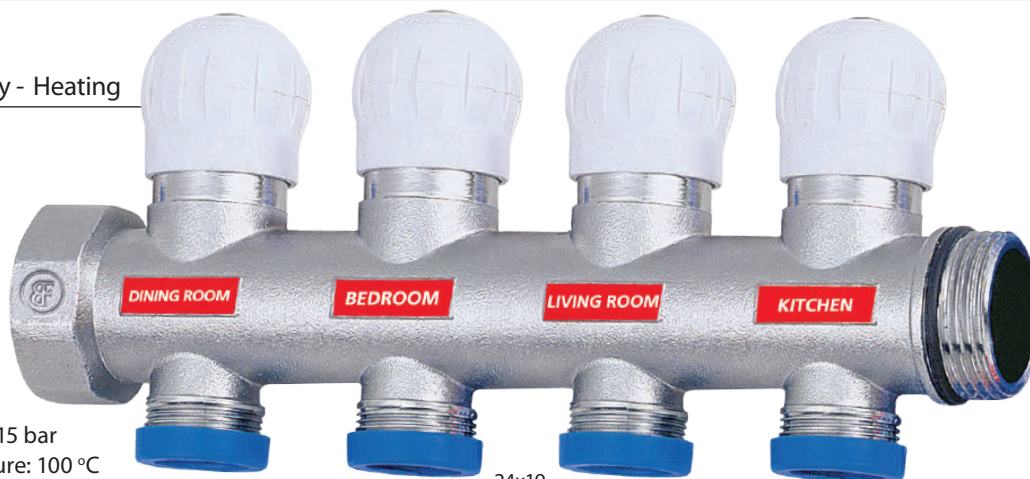
www.brassform.gr



PROTO SERIES MANIFOLDS

664

Water Supply - Heating
Proto Series



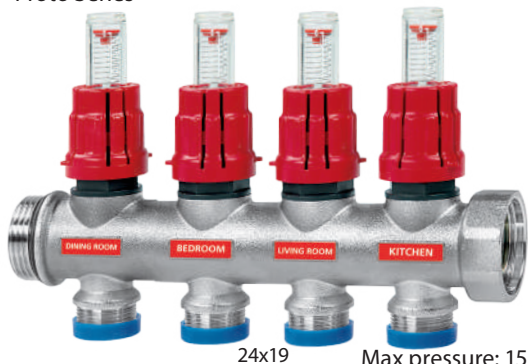
Max pressure: 15 bar
Max temperature: 100 °C

CODE	HOLES	INLET	THREADS	€	
664	IV	1" 1/4	24 x 19		5
	III				6
	II				6

24x19

764 With Flowmeter

Proto Series

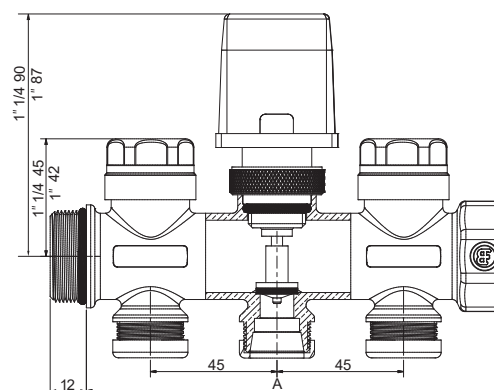
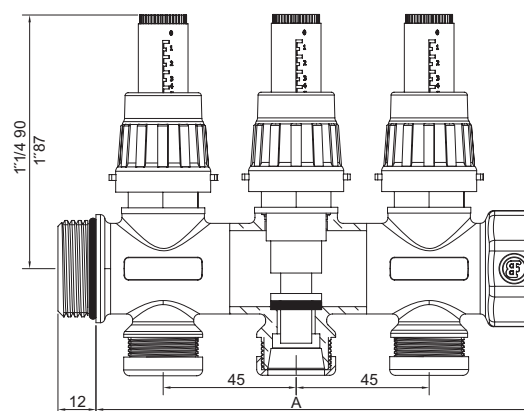


24x19

Max pressure: 15 bar
Max temperature: 100 °C

CODE	HOLES	INLET	THREADS	€	
764	IV	1" 1/4	24 x 19		5
	III				6
	II				6

TECHNICAL FEATURES



DIMENSION	1" 1/4		
	II	III	IV
A	105	150	195

864 For Actuators Connection

Proto Series



24x19

Max pressure: 15 bar
Max temperature: 100 °C

CODE	HOLES	INLET	THREADS	€	
864	IV	1" 1/4	24 x 19		5
	III				6
	II				6

3424 Reducing Bush

(24 x 19) x 3/4"



CODE	• Reducing bush from 24x19 to 3/4" (Eurocone)	€	
3424			50