

## Data Sheet

### Brass Form A.B.E.E.

Heating & Plumbing Valves Production  
Mandra Attica, 19600  
Athens, Greece

Number - Revision: 018 - 1

September 2016

---

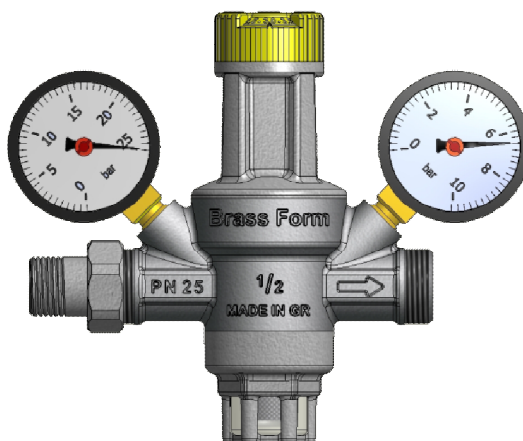
#### TECHNICAL CHARACTERISTICS

---

<i>Product Type:</i>	<b>Pressure Reducing Valve</b>	<i>Product Series:</i>	<b>Status</b>
<i>Product ID:</i>	<b>716</b>	<i>Available Dimensions:</i>	<b>1/2"</b>

---

**ID. 716**




---

#### SPECIAL FEATURES

---

- Pre-adjustable pressure indication from 0.5 to 6.5 bars
  - Quality control (1 by 1)
  - Operating tolerance  $\pm 0.2$  bar
  - Visible stainless steel filter for fast and easy maintenance procedure
  - Two terminal pressure gauge connection points
  - Terminal connection threads option 1/2 or 3/4
- 

---

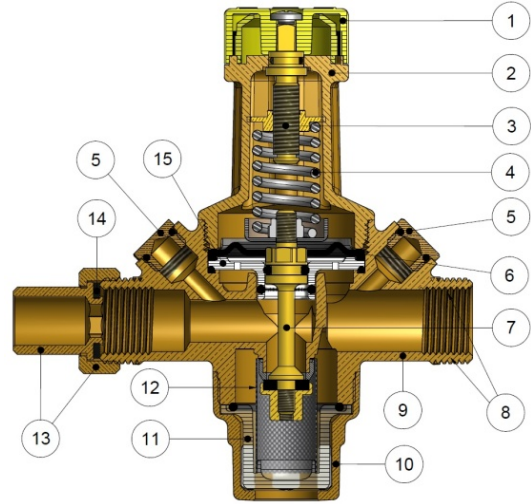
#### TECHNICAL STANDARDS

---

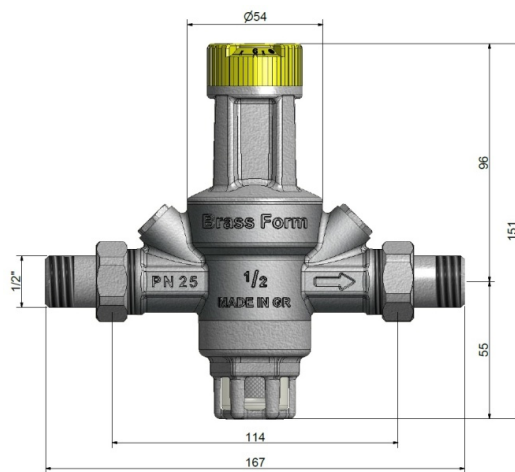
- Raw Material Specification: Hot Forged brass according to EN 12165 (CW 617N) and brass rod according to EN 12164 (CW 614N)
  - Coating: Nickel (Ni) and Chromium (Cr) Plated
  - Threads: according to ISO228
  - Maximum Operation Pressure: PN 25 bar
  - Maximum Operation Temperature: from 5 °C up to 80 °C
  - Suitable for plumbing and heating systems
-

## TECHNICAL FEATURES

1	Pressure Indicator Handle	Acetal (POM), polymer material
2	Adjustment Mechanism Cap	Hot Forged Brass CW617N
3	Adjustment Mechanism	Brass made (CW614N)
4	Compensating Spring	Galvanized steel
5	Threaded 1/4 Cap in Position of Pressure Gauge	Brass made (CW614N)
6	Operation Diaphragm	NBR sh70 double layer mesh
7	Main Operation Mechanism	Brass made (CW614N)
8	Connection Terminal Threads	Male 3/4 & Female 1/2
9	Pressure Reducing Valve Unit	Hot Forged Brass CW617N
10	Valve Maintenance Cover	Hot Forged Brass CW617N
11	Filter Protection Cap	Polycarbonates (PC), polymer material
12	Filter	Stainless Steel, Mesh of 0.2mm
13	Terminals 1/2 and 3/4	Brass made according to ISO228
14	Gasket	NBR sh70
15	Operation Diaphragm Seat	Acetal (POM), polymer material



## MAIN DIMENSIONS



all dimensions in mm

On behalf of  
Technical Department

(Signature available upon request)