

Data Sheet

Brass Form S.A.

Heating & Plumbing Valves Production
Mandra Attica, 19600
Athens, Greece

Number - Revision: 025 - 01

November 2019

TECHNICAL CHARACTERISTICS

<i>Product Type:</i>	Lock Shield Valves	<i>Product Series:</i>	Status & Smart
<i>Product ID:</i>	2603,4603,2605,4605,2604,6604 4605,2606,6606,4606	<i>Available Dimensions:</i>	1/2" F, 24x19, 1/2" M
<i>Type:</i>	Angle, Straight	<i>Handle Color:</i>	White, Chrome

CODE. 2603

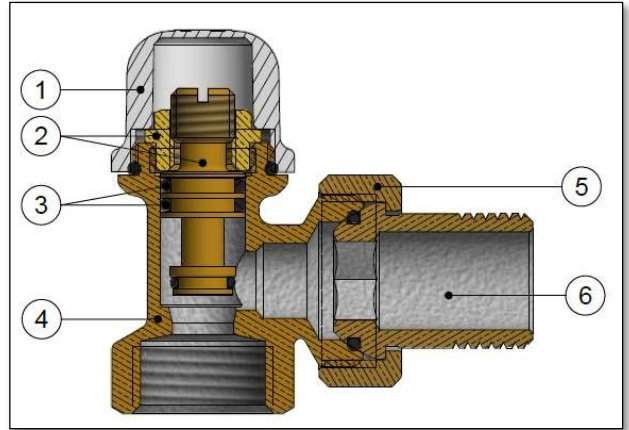


TECHNICAL STANDARDS

- Raw Material Specification: Hot Forged brass according to EN 12165 (CW 617N) and brass rod according to EN 12164 (CW 614N)
 - Coating: Nickel (Ni) and Chromium (Cr) Plated
 - Threads: according to ISO 228
 - Maximum Operation Pressure: PN 10 bar
 - Maximum Operation Temperature: up to 120 °C
-

TECHNICAL FEATURES

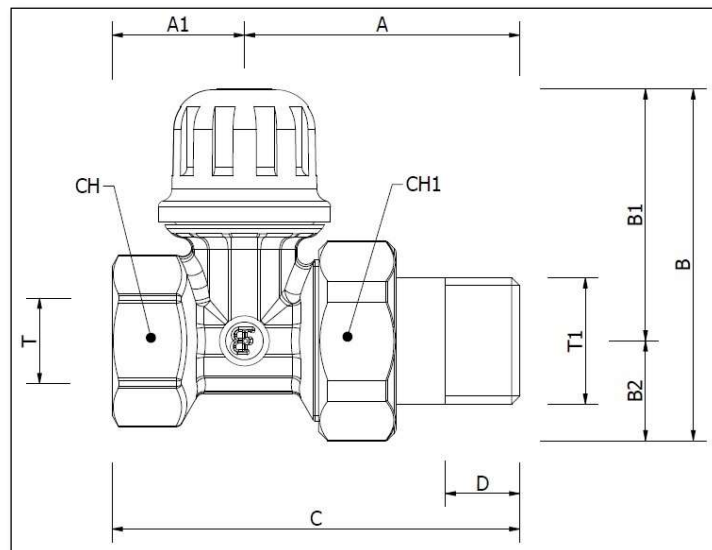
1	Protection cap	ABS, Thermoplastic Polymer
2	Sealing mechanism	Brass CW614N
3	O-Rings	NBR Sh 70 (x2 τεμ.)
4	Valve body	Hot Forged Brass CW617N
5	Nut 3/4"	Hot Forged Brass CW617N
6	Valve Tail 1/2"	Hot Forged Brass CW617N



MAIN DIMENSIONS

	A	A1	B	B1	B2	C	D	CH	CH1	T	T1
2605/ 4605	45	21,5	57	41	16	66,5	12	25	30	1/2	1/2

All dimensions in mm



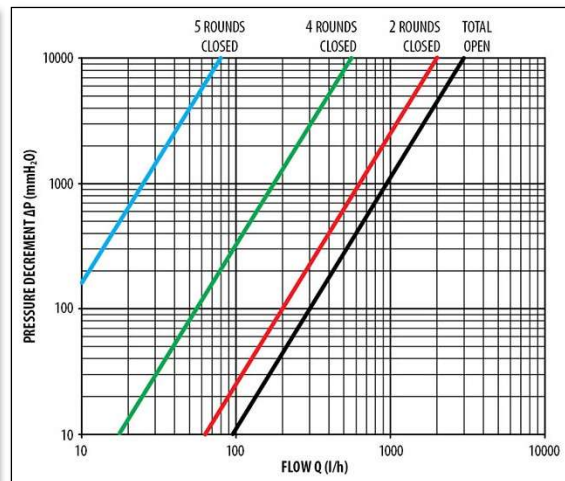
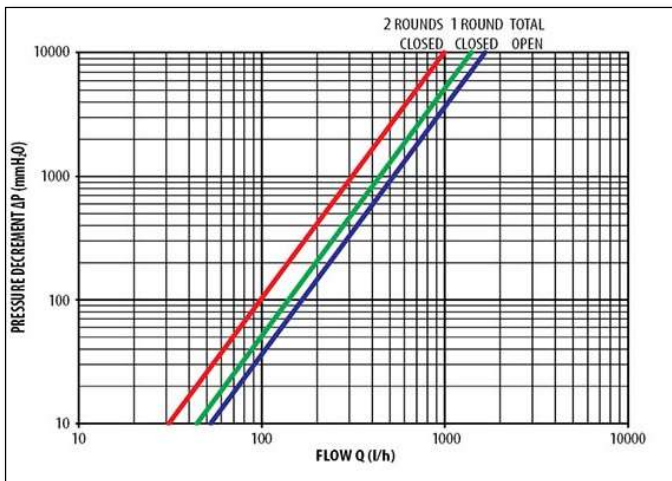
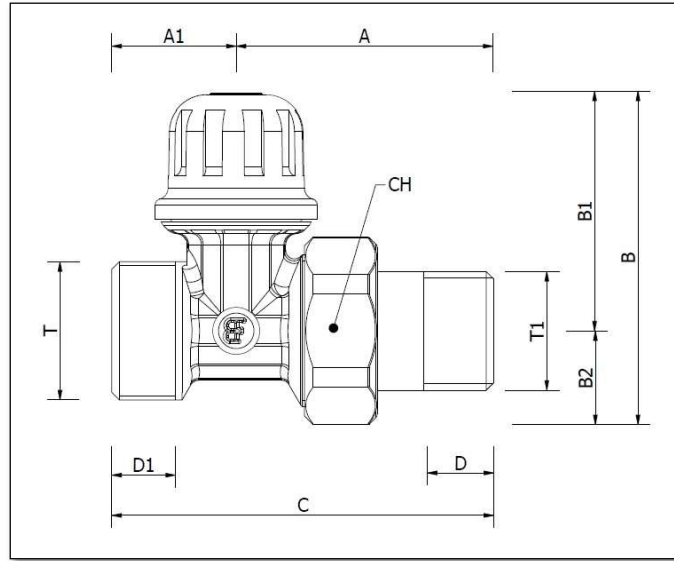
Brass Form S.A. – Heating and Plumbing Valves Production

Head Office and Factory Location: Xiro Pigadi, Mandra Attikis 19600, Greece
 Tel: +30 210 5551951, Fax: +30 210 5557470 – info@brassform.gr – www.brassform.gr

MAIN DIMENSIONS

	A	A1	B	B1	B2	C	D	D1	CH	T	T1
2606/ 4606	45	21,5	57	41	16	66,5	12	11	30	24x19	1/2
6606	45	21,5	57	41	16	66,5	12	11	30	1/2 A	1/2
600	50,5	24,5	63	46,5	16,5	75	12	8	30	24x19	1/2

All dimensions in mm



Brass Form S.A. – Heating and Plumbing Valves Production

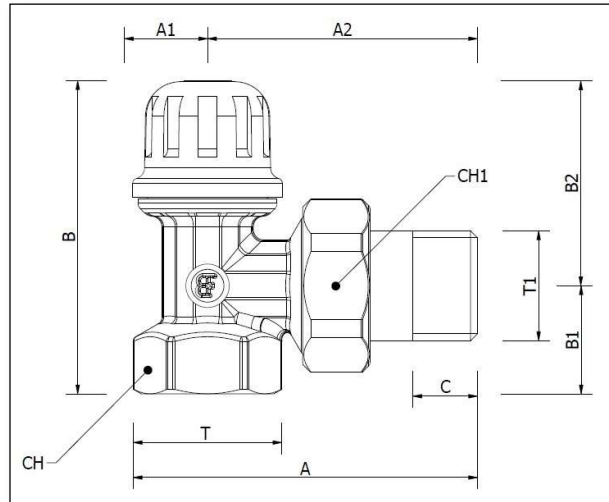
Head Office and Factory Location: Xiro Pigadi, Mandra Attikis 19600, Greece

Tel: +30 210 5551951, Fax: +30 210 5557470 – info@brassform.gr – www.brassform.gr

MAIN DIMENSIONS

	A	A1	A2	B	B1	B2	C	CH	CH1	T	T1
2603/ 4603	64,5	14	50,5	58,5	20	38,5	12	25	30	1/2	1/2

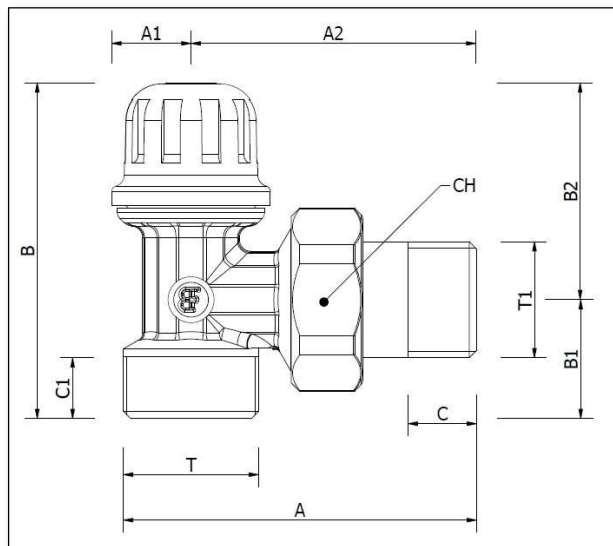
All dimensions in mm

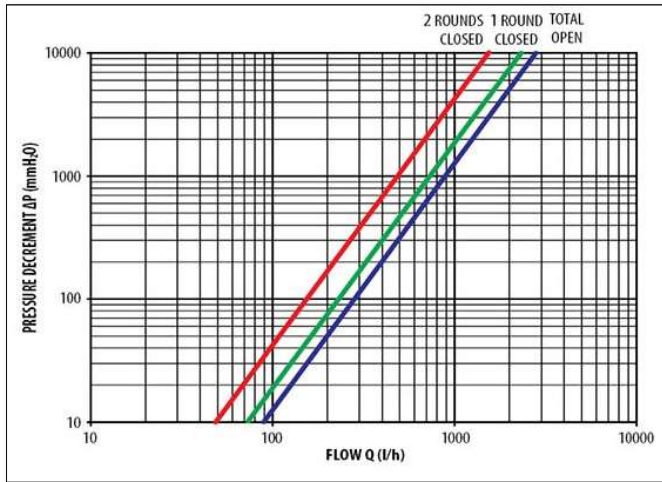


MAIN DIMENSIONS

	A	A1	A2	B	B1	B2	C	C1	CH	T	T1
2604 /4604	64,5	14	50,5	58,5	20	38,5	12	11	30	24x19	1/2
6604	64,5	14	50,4	59,5	21	38,5	12	11	30	1/2 A	1/2

All dimensions in mm





On behalf of

Technical Department

(Signature available upon request)