



## Smart

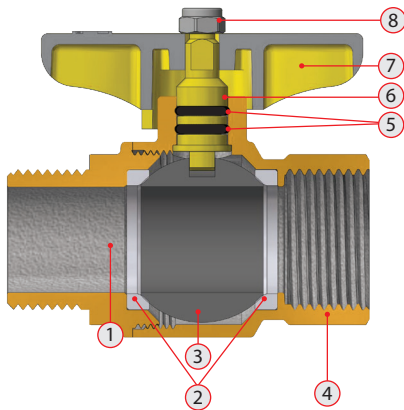
### TECHNICAL FEATURES

**PRESSURE CATEGORY:**  
Operation pressure MOP 5

**THERMAL RESISTANCE:**  
Class A

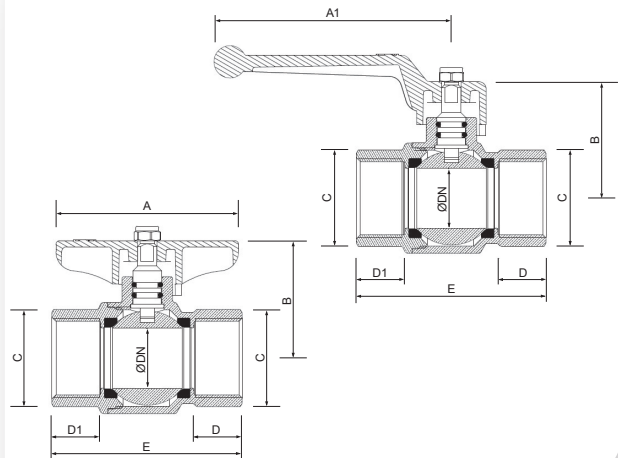
**TEMPERATURE CLASS:**  
Environment temperature: -20 °C up to +60 °C

**THREADS:**  
According to (ISO 7-1)



- ① **Brass Forged Body**  
Brass CW 617N
- ② **Shield for Ball**  
Teflon PTFE, PL/MOD FLUOR R
- ③ **Brass Seal**  
Brass CW 614N, Extremely smooth surface
- ④ **Nipple Forges**  
Brass CW 617N, Male Thread (ISO 7-1)
- ⑤ **O-ring** NBR 70
- ⑥ **Mechanism Axes**  
Brass CW 614N
- ⑦ **Handle**  
Aluminium with electrostatic paint
- ⑧ **Self Secure Nut S10**  
M6, DIN 985

### GF1101 - GF1102 Gas Form • View



### Gas Form • Smart

#### • Dimensions Technical Table

	1/2"	3/4"	1"
ØDN	15	20	25
A	57	76	76
A1	84	99	99
B	38	45	49
C	S25 octag.	S31 octag.	S38 octag.
D	17	17.5	19.5
D1	17	18	19
E	61	71	79

\*All dimensions are in mm

### Gas Form • Pressure Drop Diagram Series **Smart & Status**

