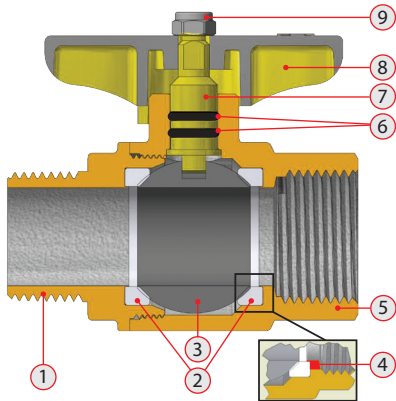




TECHNICAL FEATURES

Status

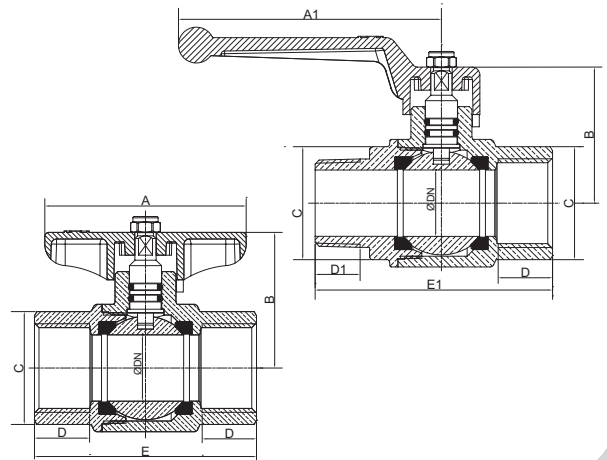
TECHNICAL FEATURES

PRESSURE CATEGORY:Operation pressure **MOP 5****THERMAL RESISTANCE:**Fire resist for **650 °C** up to **30'**.**DVGW** approved according to **DIN 3537-1** for operation pressure **1 bar, GT1**, for all dimensions (**DN15-20-25**)**TEMPERATURE CLASS:**Environment temperature: **-20 °C** up to **+60 °C****THREADS:** According to (**ISO 7-1**)

4 FIREPROOF SAFETY

- ① Brass CW 617N, Chrome plated
- ② **Shield for Ball** Teflon PTFE, PL/MOD FLUOR R
- ③ **Brass Seal**
Brass CW 614N, Extremely smooth surface
- ④ **Fire Safety** Teflon sphere protection
- ⑤ **Nipple Forges**
Brass CW 617N, Male Thread (ISO 7-1)
- ⑥ **O-ring**
NBR 70
- ⑦ **Mechanism Axes**
Brass CW 614N
- ⑧ **Handle** Aluminium with electrostatic paint
- ⑨ **Self Secure Nut**
M6, DIN 985

GF101 - GF102 Gas Form • View



Gas Form • Status

• Dimensions Technical Table

	1/2"	3/4"	1"
Ø DN	15	20	25
A	57	76	76
A1	84	99	99
B	52	48	51
C	S26 hexag.	S32 octag.	S40 octag.
D	16,7	18	20,5
D1	13,2	14,5	17
E	62,5	71,1	84
E1	71,8	77,1	89,5

*All dimensions are in mm

FUNCTION / INSTALLATION

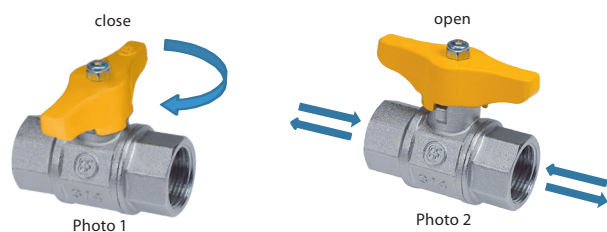
All the connections should be done from approved and certified installers

The valve can be put in vertical or horizontal position

The valve opens with left turn move of the handle

and closes with right turn. (according to the turn of the clock rates) (*see photo 1*)

The gas inside the valve can flow from both sides of valve (*see photo 2*)



• Never disassemble or try to fix the valves.