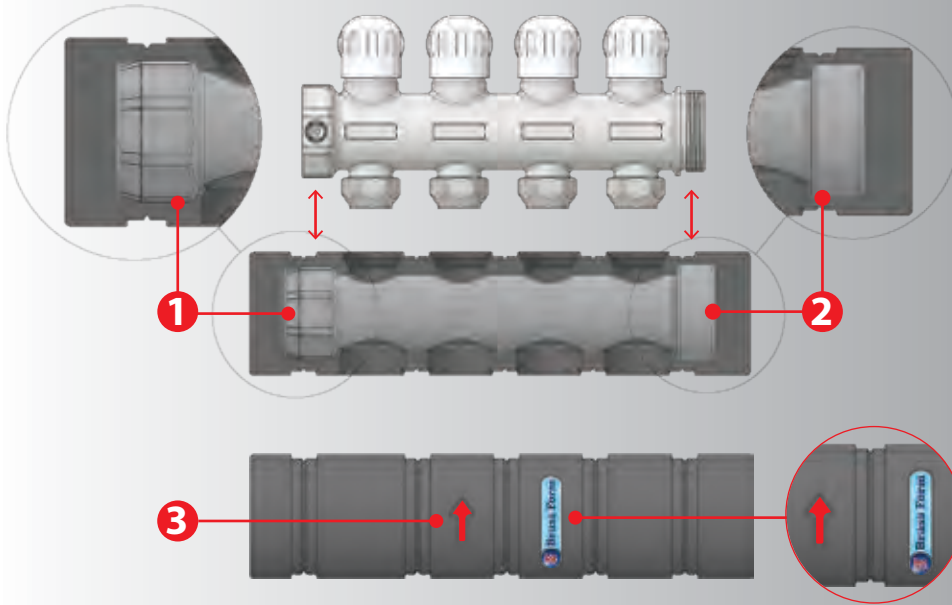


# POLYETHYLENE FOAM INSULATION FOR MANIFOLDS 1"1/4

## INSTALLATION INSTRUCTIONS

### INSTALLATION



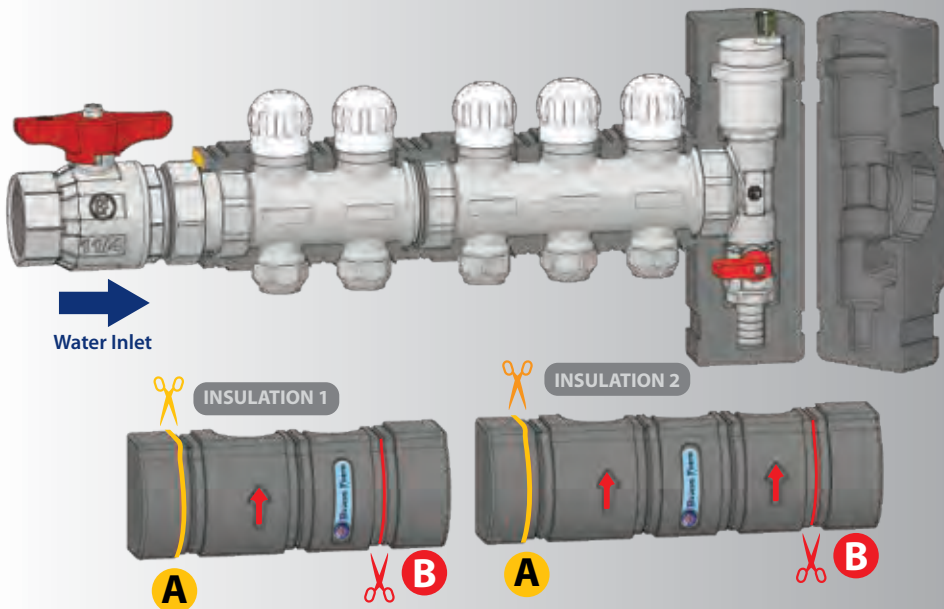
- PLACE THE FRONT AND THE REAR INSULATION PIECES ON THE MANIFOLD, ACCORDING TO THE INTERNAL ENGRAVED SHAPES.

- THE ONE INTERNAL ENDING OF THE INSULATION HAS AN OCTAGON ENGRAVING FOR THE FEMALE CONNECTION SIDE OF THE MANIFOLD **1**

- THE OTHER INTERNAL ENDING OF THE INSULATION HAS A ROUND ENGRAVING FOR THE MALE CONNECTION SIDE OF THE MANIFOLD **2**

THE OUTER SIDE OF BOTH INSULATION PIECES HAS ENGRAVED ARROWS **3** WHICH POINT TO THE TOP SIDE OF THE MANIFOLD

### CONNECTION



AT THE OUTER SURFACE OF EACH INSULATION, THERE ARE EMBOSSED SLOTS, INDICATING THE CUTTING POINTS.

- CUT THE **INSULATION 1** OF THE FIRST MANIFOLD AT THE WATER INLET SIDE. PROCEED THE CUTTING AT THE LINE ON THE LEFT SIDE OF THE EMBOSSED SLOT **POINT A**

- CUT **INSULATION 1** OF THE FIRST MANIFOLD AT THE CONNECTION POINT WITH THE NEXT ONE. PROCEED THE CUTTING AT THE EMBOSSED SLOT **POINT B**

- PROCEED TO THE CUTTING OF **INSULATION 2** AND SO ON, ACCORDING TO ABOVE-MENTIONED STEPS AT POINTS **A** AND **B**

- IN ORDER TO APPLY THE INSULATION OF THE T-PIECE, CUT THE MANIFOLD **INSULATION 2** AT **POINT B**. AFTER THAT, PLACE THE T-PIECE INSULATION ACCORDING TO THE ENGRAVED INTERNAL SHAPES.

### ATTENTION!

IN CASE THAT THE MANIFOLD IS TERMINAL WITH A BLIND CAP, DO NOT CUT THE INSULATION, BUT KEEP IT SOLID