



Data Sheet

Brass Form A.B.E.E.

Heating & Plumbing Valves Production
Mandra Attica, 19600
Athens, Greece

Number - Revision: 011 - 2

June 2016

TECHNICAL CHARACTERISTICS

<i>Product Type:</i>	Electric Reduction Gear	<i>Product Series:</i>	Power & Smart
<i>Product ID:</i>	900, 2900, 1900, 2190 924, 2924, 1924, 2194	<i>Voltage:</i>	230V & 24V
		<i>Direction:</i>	Reversible & non Reversible

ID. 900



SPECIAL FEATURES

- 5 years guarantee
- Protection marking IP 67 (Power), IP44 (Smart)
- Powder metal gears
- Maximum Torque 14Nm
- Dual color indicator (reversible model)
- Right or left hand installation

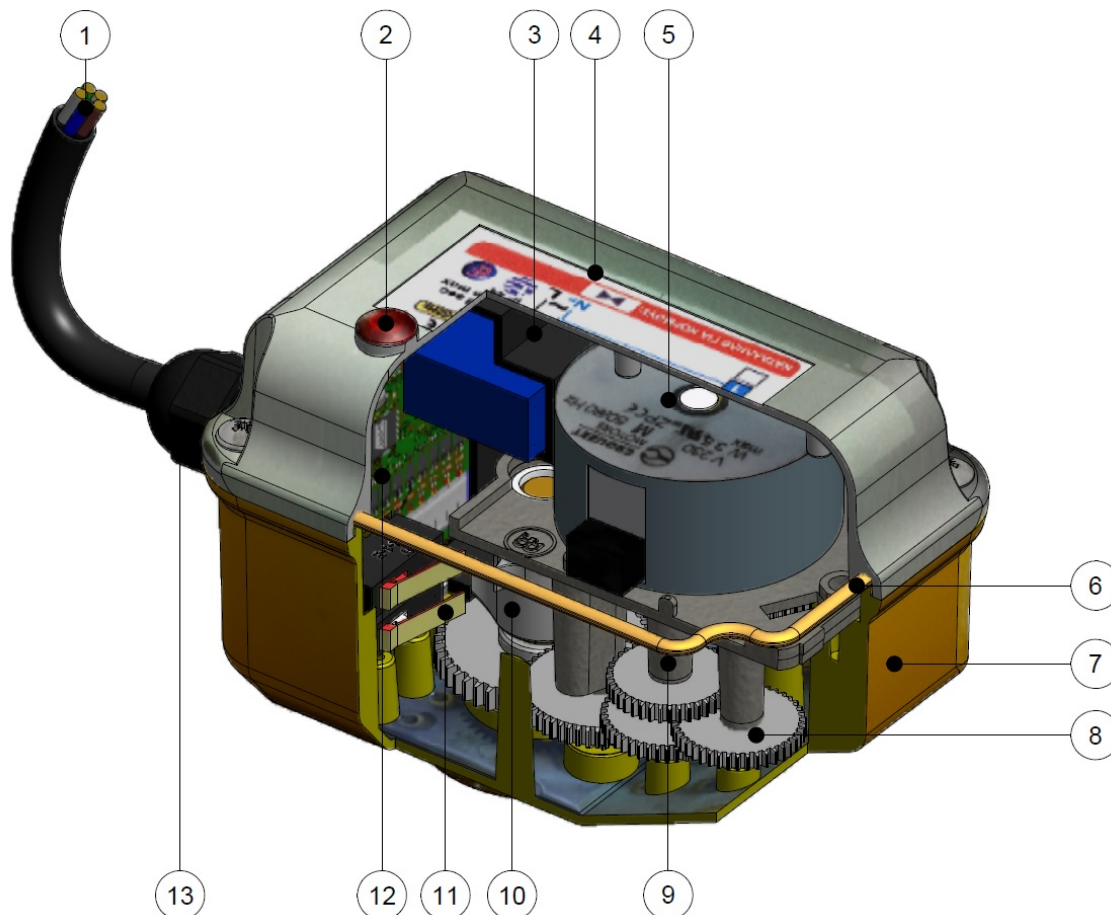
TECHNICAL STANDARDS

Voltage	3.5W - 230V / 9.5W - 24V 50Hz
Protection Marking	IP 67 (Power) / IP 44 (Smart)
Rotation angle	90 degrees
Opening / Closing time	68 seconds
Maximum Torque	14 Nm
Connection Cable	5 x 0.75 mm ² (Power) / 4 x 0.75 mm ² (Smart)

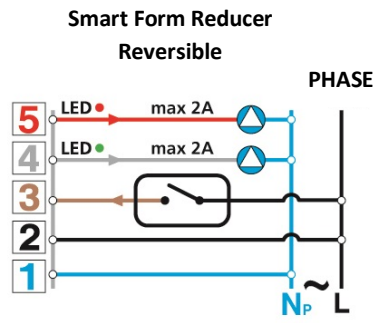
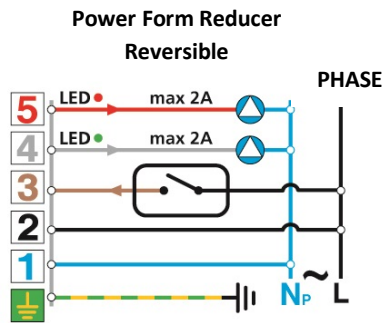
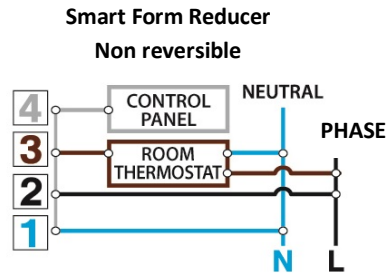
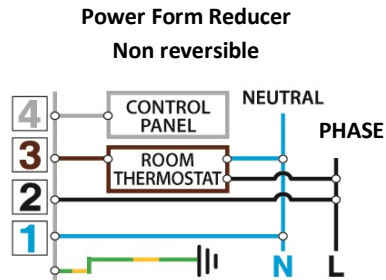
Cable length	700 mm
--------------	--------

TECHNICAL FEATURES

1	Connection Cable	PVC, 5 x 0.75 mm ²
2	Operation Indicator	Red light Bulb
3	PCB and Relay Protection Case	Polyethylene (PE), Plastic
4	Body Cap	Aluminum made
5	Synchronous Motor	Made by CROUZET
6	Case Sealing	PVC
7	Body Base	Aluminum made
8	Gear Train	Metal Gears
9	Gear sub-Frame	Aluminum made
10	Command Actuator	Brass made Spindle & Eccentric Actuator
11	Micro Switch	CE Approved
12	Printed Circuit Board	CE Approved
13	Cable Seal	PG9



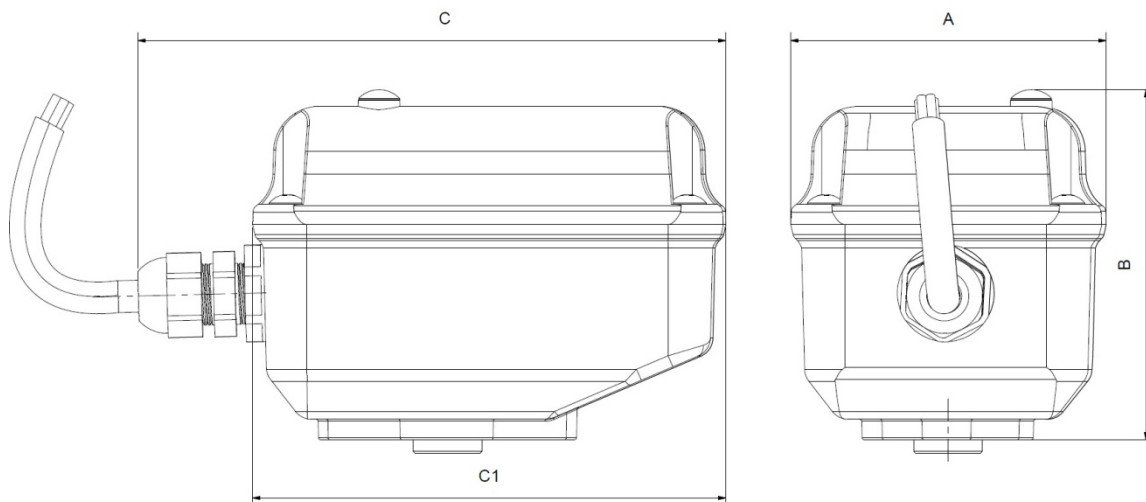
ELECTRICAL INSTALLATION



MAIN DIMENSIONS

	A	B	C	C1
Power	78	88	117	145
Smart	78	88	117	-

all dimensions in mm



On behalf of

Technical Department

(Signature available upon request)