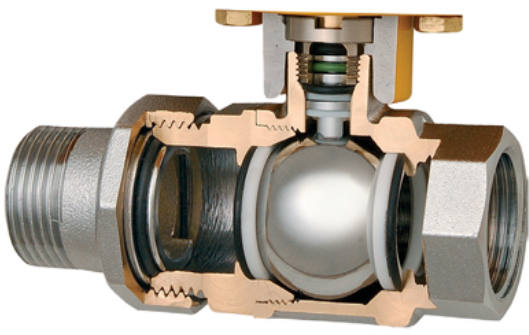




TECHNICAL FEATURES

910 Status Ball Valve • Section View



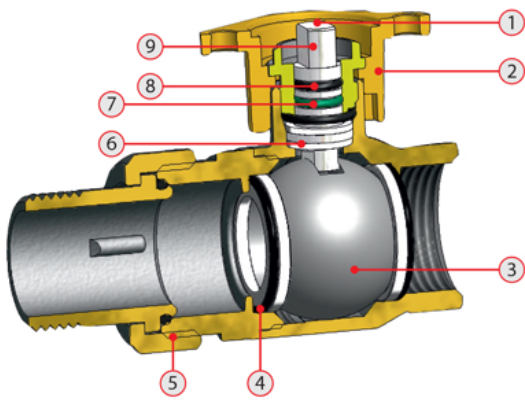
Weight 1": 840 gr

1910 Smart Ball Valve • Section View



Weight 1": 730 gr

Ball Valve • Section View

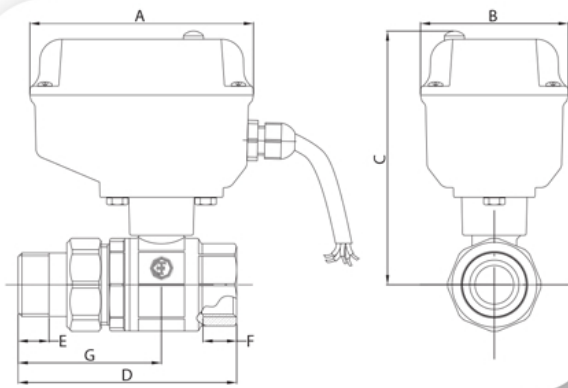


TECHNICAL FEATURES STATUS & SMART

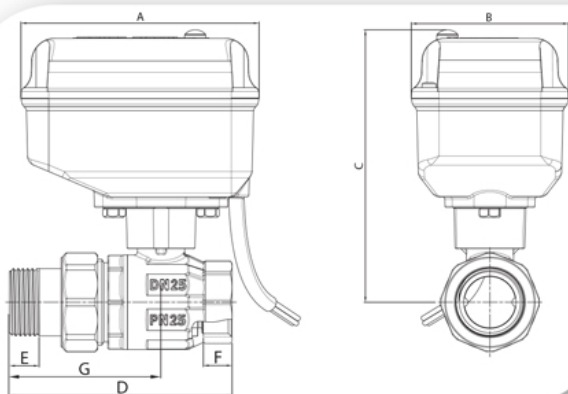
- ① **Brass Chromed Rotation Spindle.**
- ② **Double possibility** (left or right) in connection with the reducer.
- ③ **Brass plated ball valve** with diamond treatment.
- ④ **O-ring & Teflon** for smoothing the operation of the valve..
- ⑤ **Body / Tail / Nut Hot Forget Brass.**
Material Specification: EN 12165: 1998 alloy CW617N
- ⑥ **Teflon PTFE** for spingle slide movement.
- ⑦ **O-ring Viton** for spingle sealing.
- ⑧ **O-ring EPDM** for spingle and pressure cup sealing.
- ⑨ **Brass and chrome** rotation spingle.
- ⑩ **1/2" (DN15) / 3/4" (DN 20) / 1" (DN 25) / 1 1/4" (DN 32).**
- ⑪ **Nominal Pressure PN 40.**
- ⑫ **Connection Fem. fitting / Fem - Fem. / Fem - Male / 2 fittings.**



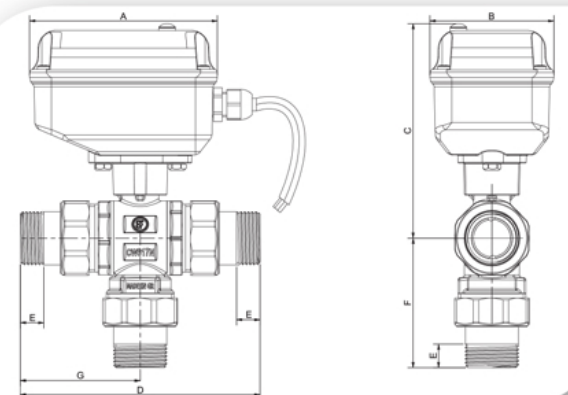
MAIN DIMENSIONS



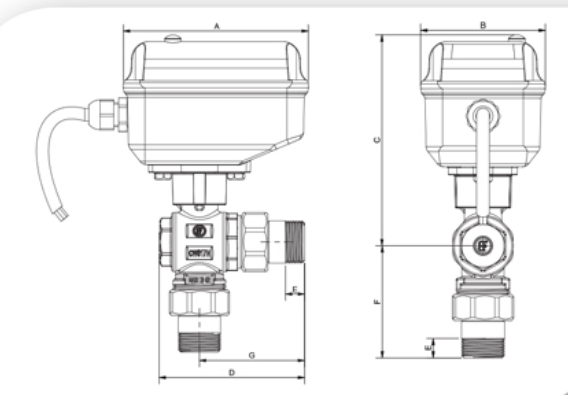
TYPE DIMENSION (mm)	1/2"	3/4"	1"	1 1/4"
A	116	116	116	116
B	77	77	77	77
C	126	129	132	137
D	89	98	113	138
E	12,5	12	16	17
F	16	14,5	17,5	20
G	58	66	74	90
DN	15	20	25	32
PN	15	25	25	25



TYPE DIMENSION (mm)	3/4"	1"	1 1/4"
A	116	116	116
B	77	77	77
C	127	131	135
D	96	109	128
E	12	16	17
F	12,5	14	17
G	67	74	86
DN	20	25	32
PN	25	25	25



TYPE DIMENSION (mm)	1/2"	3/4"	1"
A	116	116	116
B	77	77	77
C	126	129	132
D	115	132	148
E	12,5	13	14,5
F	60,5	69	80
G	57,5	66	74
DN	15	20	25
PN	15	25	25



TYPE DIMENSION (mm)	3/4"	1"
A	116	116
B	77	77
C	129	132
D	91	101
E	13	14,5
F	69	80
G	66	74
DN	20	25
PN	25	25