

Data Sheet

Brass Form A.B.E.E.

Heating & Plumbing Valves Production
Mandra Attica, 19600
Athens, Greece

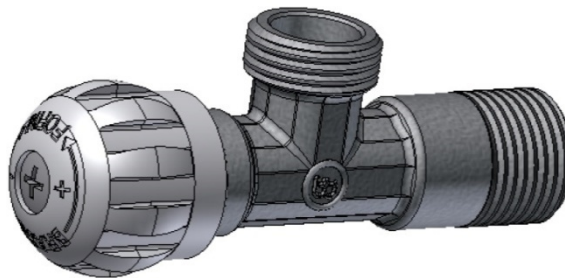
Number - Revision: 002 - 2

April 2012

TECHNICAL CHARACTERISTICS

<i>Product Type:</i>	Ball Cocks	<i>Product Series:</i>	Smart, Fino - Lux Form
	Chrome, Bronze		
<i>Product ID:</i>	1214, 2214, 1224, 2224 214, 215, 216, 217, 218	<i>Available Dimensions:</i>	1/2" x 1/2" 3/8" x 1/2"

ID. 1214



SPECIAL FEATURES

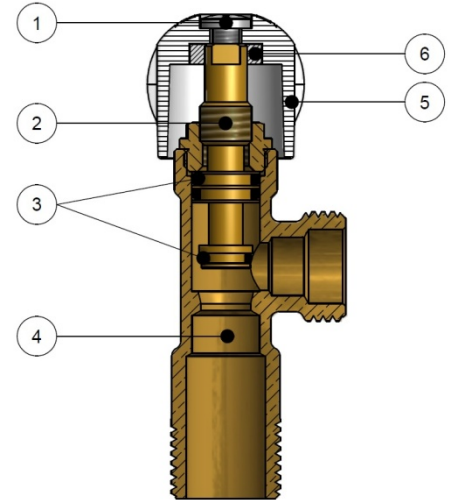
- Long connection thread 1/2
 - Quality control (1 by 1)
 - 5 year guarantee
-

TECHNICAL STANDARDS

- Raw Material Specification: Hot Forged brass according to EN 12165 (CW 617N) and brass rod according to EN 12164 (CW 614N)
 - Coating: Nickel (Ni) and Chromium (Cr) Plated
 - Suitable for drinking water
 - Threads: according to ISO228
 - Maximum Operation Pressure: PN 15bar
 - Maximum Operation Temperature: up to 90 °C
 - Suitable for water and heating systems
-

TECHNICAL FEATURES

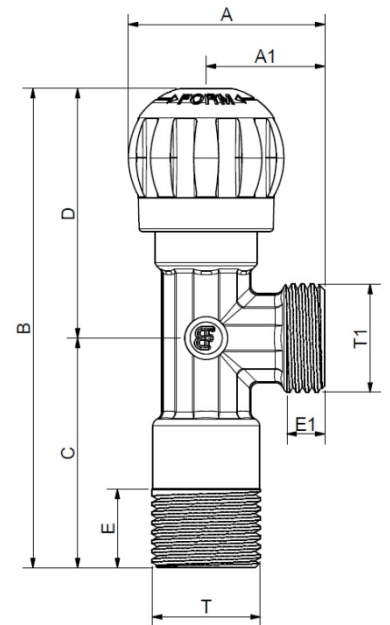
1	Screw M3x10	Galvanized, DIN 7985
2	Mechanism	Brass CW614N
3	O rings	NBR Sh70 (x3 pcs.)
4	Body	Hot Forged Brass CW 617N
5	Handle	ABS, Thermoplastic Polymer
6	Handle Support	Aluminum



MAIN DIMENSIONS

		A	A1	B	C	D	E	E1	T	T1
SMART	2214 / 1214	38	23	93	44	49	15	8	1/2	1/2
	2224 / 1224	38	23	93	44	49	15	8	1/2	3/8
FINO / LUX	214, 215, 216, 217, 218	46	28	94	43	51	12	8	1/2	1/2
	214, 215, 216, 217, 218	46	28	94	43	51	12	8	1/2	3/8

all dimensions in mm



On behalf of

Technical Department

(Signature available upon request)