



# TECHNICAL FEATURES

## 1 FORGED BRASS BODY

- Brass CW617N
- Dynamic design
- Heavy duty
- Threads: Female (ISO 228) / Male (ISO 7-1)

## 2 PLASTIC RING

- Polypropylene (PP)
- Securing from electrolysis
- Big gaps for easy optical control
- Different surface pattern for each dimension (Ø) for easy recognition

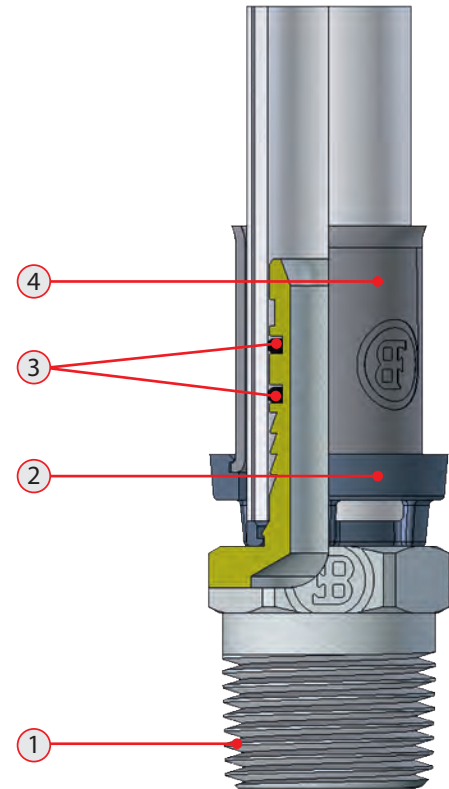


## 3 O-RINGS

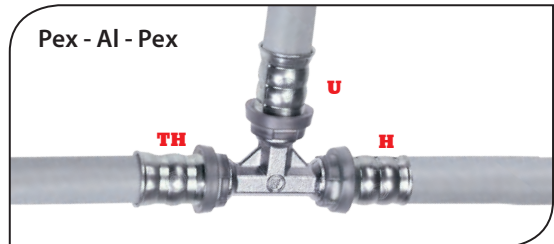
- EPDM 70 Peroxide according to DVGW - W270 / DVGW - W534 / EN681 - 1 approved for potable water and food
- Thermal resist (-40 °C to 150 °C)

## 4 STAINLESS RING

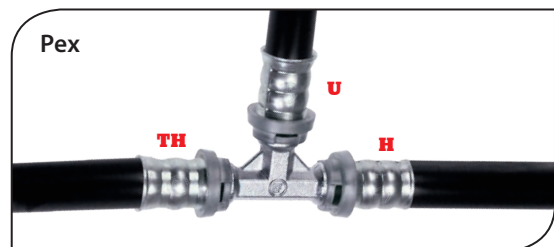
- Steel AISI 304
- 100% corrosion protected
- Clear - signed dimension recognition
- Secure connection with brass body



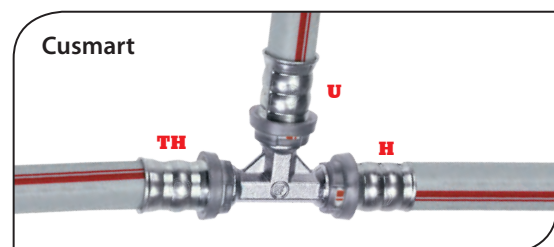
Pex - Al - Pex



Pex



Cusmart





# TECHNICAL FEATURES



## OPERATION LIMITS

Maximum operating temperature: 95 °C.

Maximum operating pressure: 10 Bar.

## CHARACTERISTICS

Clear - signed dimension recognition

Secure connection with brass body

## APPLICATIONS

Heating and plumbing installation of high and low temperature.

Air - condition and pressure air application.

External and internal installation.

Appropriate for drinking water installation.

Brass according to norm DIN 50930-6.

## Press Form • Dimension Table

DIMENSION PROFILE	16 x 2	18 x 2	20 x 2	26 x 3	32 x 3
TH	Yes	Yes	Yes	Yes	Yes
H	Yes	Yes	Yes	No	No
U	Yes	Yes	Yes	No	No

## Press Form • Chemical analysis of brass raw material

		Cu	Pb	Ni	Fe	Mn	Sn	Al	Zn	Other Elements
CW614N	min	57,6	2,5	-	-	-	-	-	rem	-
	max	58,5	3,2	0,2	0,3	-	0,3	0,05	-	0,2
CW617N	min	57,8	1,8	-	-	-	-	-	rem	-
	max	58,3	2,2	0,2	0,3	-	0,3	0,05	-	0,2