

Data Sheet

Brass Form A.B.E.E.

Heating & Plumbing Valves Production
Mandra Attica, 19600
Athens, Greece

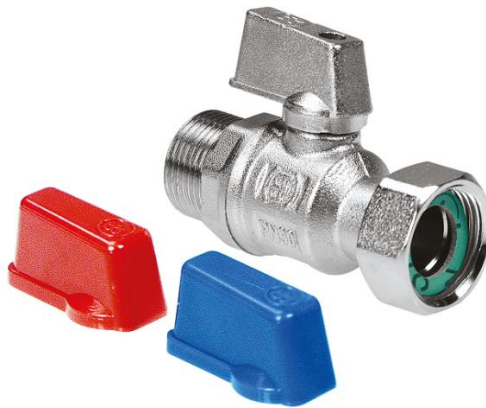
Number - Revision: 024 - 2

November 2019

TECHNICAL CHARACTERISTICS

<i>Product Type:</i>	Ball Valve DN15 Swivel Connection	<i>Product Series:</i>	Status
	Chrome plated		
<i>Product ID:</i>	132,133,142,143,152,153,162,462	<i>Available Dimensions:</i>	1/2" – 3/4"
		<i>Handle Color:</i>	Chrome, Red , Blue

ID. 143

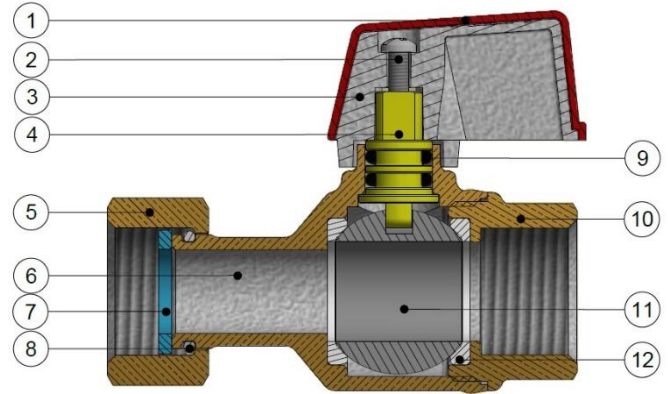


TECHNICAL STANDARDS

- Raw Material Specification: Hot Forged brass according to EN 12165 (CW 617N) and brass rod according to EN 12164 (CW 614N)
 - Coating: Nickel (Ni) and Chromium (Cr) Plated
 - Suitable for drinking water
 - Threads: according to ISO228
-

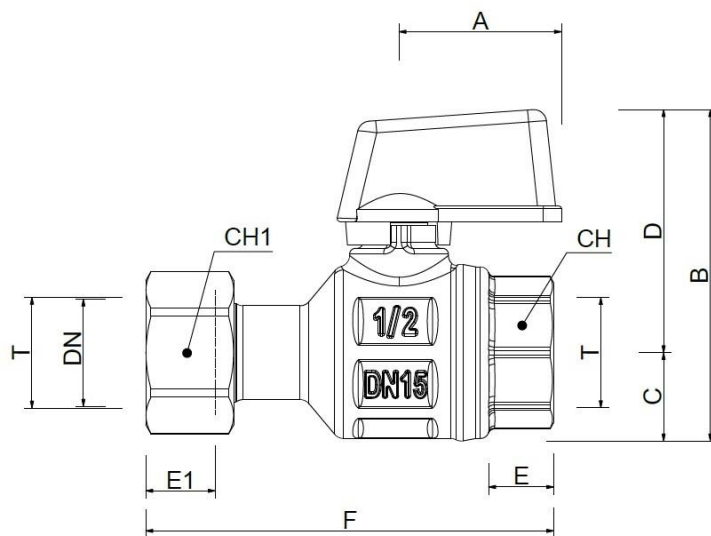
TECHNICAL FEATURES

1	Handle Cover	Polypropylene (PP), Thermoplastic Polymer
2	Screw DIN 7985	M3x10, Galvanized
3	Handle	Aluminum, Chromium plated
4	Spindle	Brass CW614N
5	Swivel Nut	Hot Forged Brass CW617N
6	Valve body	Hot Forged Brass CW617N
7	Gasket	Permanite
8	Circlip	AISI 302
9	O-Rings	NBR Sh70 (x 2 pcs.)
10	Valve Fitting	Hot Forged Brass CW617N
11	Ball	Brass CW614N, Polished, Chromium plated
12	Ball Seats	Protogenic PTFE (x 2 pcs.)



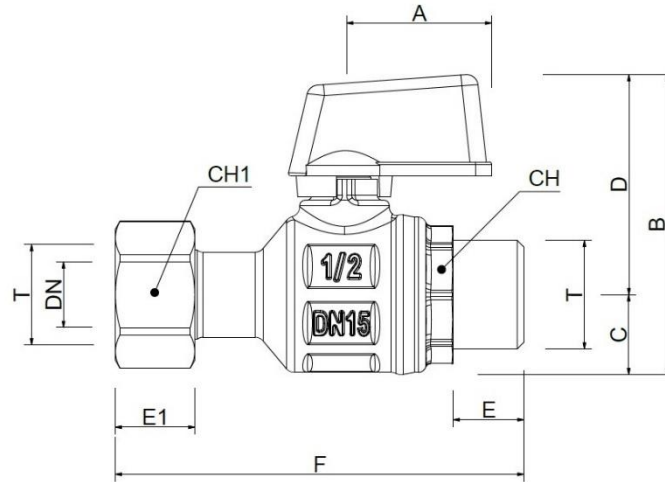
MAIN DIMENSIONS

	DN	A	B	C	D	E	E1	F	T	CH	CH1
132	15	28	57	15	42	13	12	70,5	1/2	25	25
133	15	28	58	16	42	14,5	11	70,5	3/4	31	30



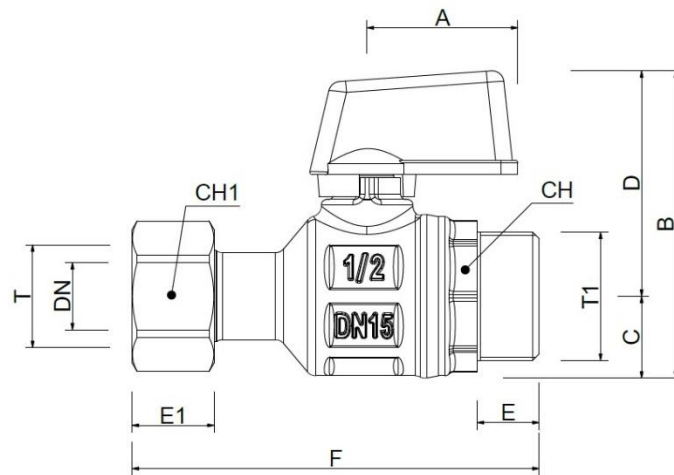
MAIN DIMENSIONS

	DN	A	B	C	D	E	E1	F	T	T1	CH	CH1
142	15	28	57	15	42	12	12	78	1/2	1/2	25	25
143	15	28	58	16	42	14,5	11	78	3/4	3/4	31	30



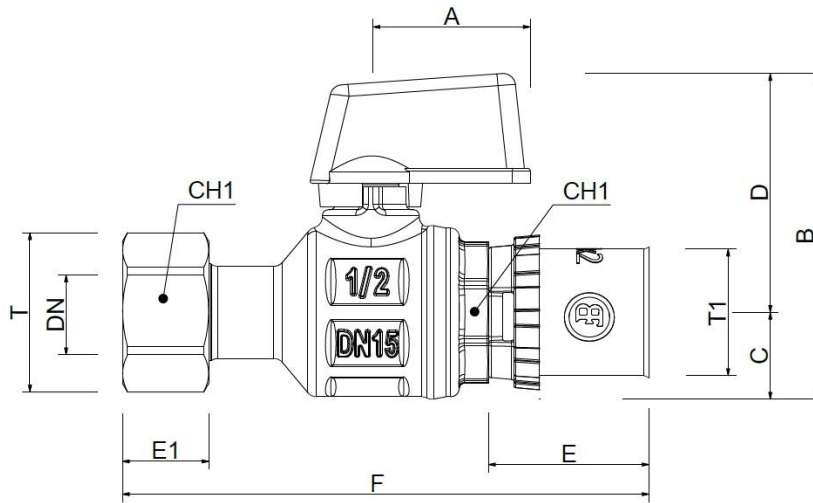
MAIN DIMENSIONS

	DN	A	B	C	D	E	E1	F	T	T1	CH	CH1
152	15	28	57	15	42	11	12	76	1/2	24x19	26,5	25
153	15	28	58	16	42	11	11	72	3/4	24x19	26,5	30



MAIN DIMENSIONS

	DN	A	B	C	D	E	E1	F	T	T1	CH	CH1
162	15	28	57	15	42	28	12	93	1/2	16x2	25	25
182	15	28	57	15	42	28	12	93	1/2	18x2	25	25
120	15	28	57	15	42	28	12	93	1/2	20x2	25	25
462	15	28	57	15	42	28,5	11	89	3/4	16x2	25	30
482	15	28	57	15	42	28,5	11	89	3/4	18x2	25	30
420	15	28	57	15	42	28,5	11	89	3/4	20x2	25	30



On behalf of

Technical Department

(Signature available upon request)